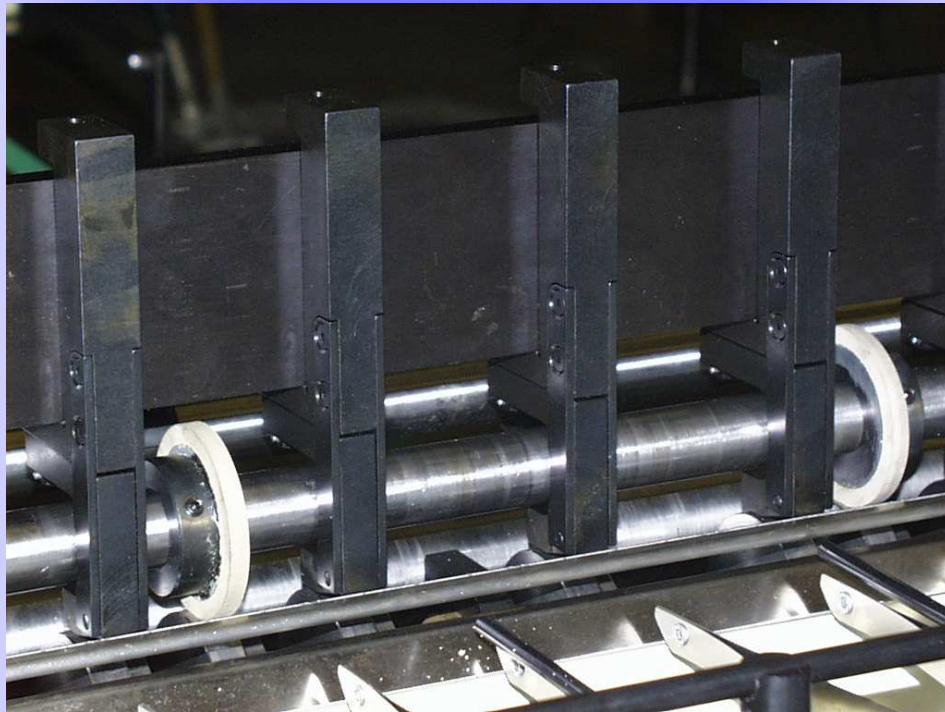


ROSBACK COMPANY

Introduces the *NEW* redesigned **PRESSURE SENSITIVE SLITTING ATTACHMENT**



These new slitting attachments ensure precise and consistent depth control. Remarkably easy to install and setup.

The narrower profile of these new attachments can produce up to 20 semi-slits at one time. Semi-slit labels, vinyl, plastics and many other materials.

*Produces the **most consistent**
and **accurate cut** available.
One full turn of the adjuster changes the
cut depth exactly 0.001" (0.025mm).*

ROSBACK has been providing world class perforating, scoring, and slitting solutions since 1881. The TrueLine and 240XL series perforators provide quality, cost-effective perforating and scoring solutions that presses or folders cannot match. No wonder thousands of demanding print finishers ask for ROSBACK.

Now add Pressure Sensitive Slitting Attachments to your ROSBACK Perforator. Produce a wide array of precision semi-slitting jobs.

These attachments fit the following Rosback Perforator models:

- Up to 10 heads
On all 240XL and newer 223(*) & 248(*)
- Up to 20 heads
On all 243XL, 249 and newer 226(*)

*Must have the rectangular support shaft (as shown below)

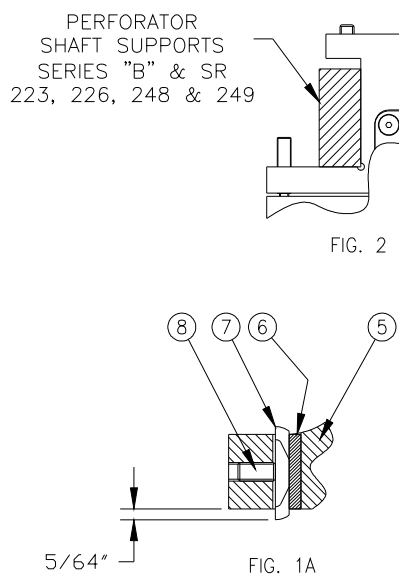
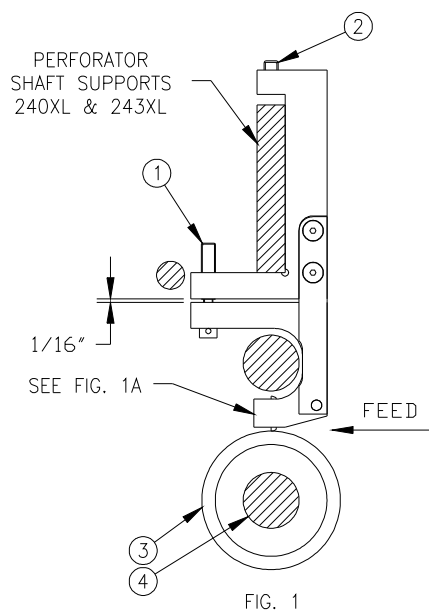
Call and speak to one of our application specialists for more information.

EASY SETUP AND OPERATION

1. Before attaching the Pressure Sensitive Slitting onto the machine, check the slitter knife position. Knife holder (6) should be flush with bottom of Slitter actuating arm (5). Knife (7) must be aligned so that slit is parallel with arm axis. Set knife protrusion at 5/64" and lock setscrew (8).
2. Turn screw (1) clockwise until it stops; back out screw (1) six full turns.
3. Install slitting attachment onto machine.
4. Position slitter attachment so that knife will slit stock in desired location; lock down the screw (2).
5. Lower Upper shaft to the fully down position (P).
6. Carefully slide Slitting drive roll (3) along Lower shaft (4) and into position under knife. If knife contacts the Slitting drive roll, raise knife by turning screw (1) counter clockwise until Slitting drive roll can be positioned centrally under knife.
7. Run one piece of stock through machine and check depth of slit. Adjust depth by turning screw (1) until the knife cuts backing material without cutting stock paper, **clockwise lowers the knife**. One turn of adjusting screw (1) changes cut depth exactly 0.001" (0.025mm).

OTHER ACCESSORIES FOR ROSBACK PERFORATORS

- TrueScore-Pro Series Heads: designed for scoring digitally printed stock and any sensitive material.
- Quick-Align Perforating Heads
- Slot-Cut Heads. Produce a clean, highly visible and attractive line of perforation in 3 to 12 tpi.
- Knife-Cut Heads. Produce a clean, nearly invisible line of perforation in 3 to 12 tpi.
- Micro-Perf Heads. Very popular for re-feeding printers. Produce a flat, strong perforation that leaves an exceptionally clean edge after separation. Choose 36, 54 or 72 tpi.
- Slitting Heads. Cut multiple forms apart while you score and slit.
- Scoring Heads. Many varieties in stock.
- "CD" Inlay Heads. Produce CD inlay cards in single or multiple formats.
- Gutter Slit/Perf Heads. Slit apart multiple format jobs while ejecting scrap strips from the finished pieces.
- Pressure-Sensitive Slitting Attachment. Back slit or semi-slit labels and decals.
- Narrow Margin Perf Heads (3/8" From Sheet Edge)
- Special Slot-Perf Heads (1/2" Between Perf Lines)
- Easy Out Shafts. Dramatically reduce setup time when tooling changes are required.
- Special Engineered Heads. Chances are good we have done it before and can produce your special application quickly, saving you time & money.



ROSBACK CO.

125 HAWTHORNE AVE., ST. JOSEPH, MI 49085 USA

Phone: (269) 983-2582 * Fax: (269) 983-2516

Internet: www.rosbackcompany.com * E-mail: sales@rosbackcompany.com

Your Dealer: