

ROSBACK COMPANY

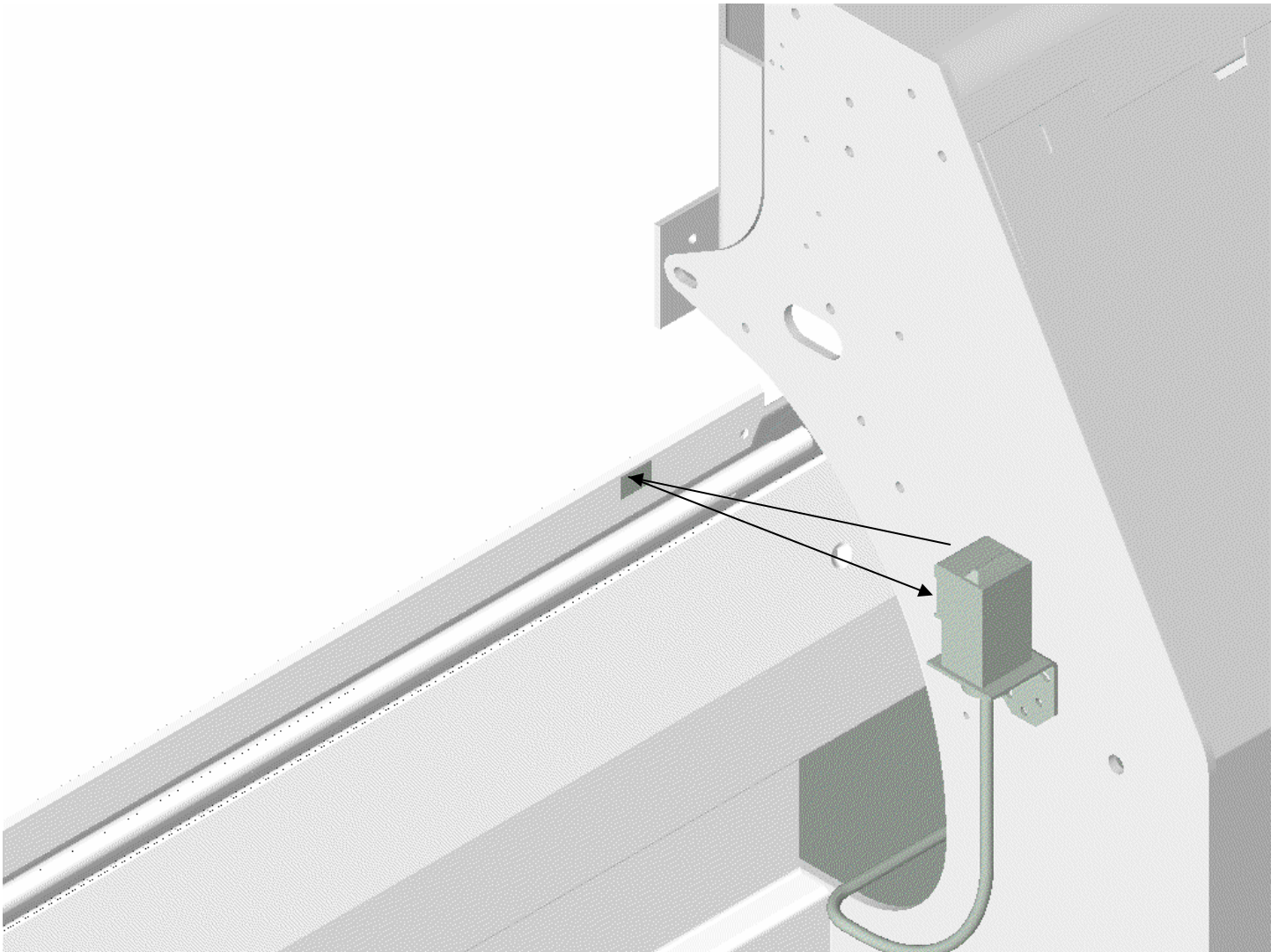
Manufacturers of Quality Handcrafted Bindery & Finishing Equipment since 1881

Operational Instructions for Book Detector Option on Rosback Model 201 Stitchers

DESCRIPTION: The book detector option uses a photoelectric sensor to monitor books entering the stitching station. If book is missing, Stitcher will stop. This feature prevents loose stitches that may jam the clinchers and possibly cause bad stitches.

- Turn on the Stitcher.
- **DETECTOR OFF:** With the detector in the “off” position, depress the foot pedal. The Stitcher will run continuously as long as foot pedal is depressed.

DETECTOR ON: With the detector in the “on” position, depress the foot pedal and release. The Stitcher will run continuously as long as books are detected. To restart Stitcher after missing a book, replace the book on the saddle, and depress the foot pedal and release.



Shipping & Mailing Address: 125 Hawthorne Ave., St. Joseph, MI 49085

Phone: (269) 983-2582 * Fax: (269) 983-2516 * Internet: www.rosbackcompany.com * E-mail: sales@RosbackCompany.com

Manufactured in the USA since 1881